

AI56 Acoustic imaging camera



The HIKMIRCO AI56 acoustic imaging camera is a professional product for sound source localization. With 64 Low-noise MEMS microphones and adjustable bandwidth range from 2 kHz to 60 kHz, AI56 provides an easy and effective way to locate the pressurized air leaks in industrial environments or detecting partial discharge in high-voltage systems. By using a large 4.3" LCD touch screen, the results presented on top of a digital picture allows you to quickly find the source of the problems. The maximum operating distance could reach 100 meters, which can ensure you stay at a safe distance to inspect the high-voltage equipment. Adopting this lightweight and easy-to-use tool, you can discover the potential safety risks, minimize troubleshooting, and save extra costs of equipment failures and downtime.

Key Feature

- 64 Low-noise MEMS Microphones, Real-time Sound Visualization
- Supports multiple palettes
- High quality optical module with 5 MP resolution
- High-calibre 800 × 480 resolution 4.3" LCD touch display
- Supports 1.0x to 8.0x continuous digital zoom

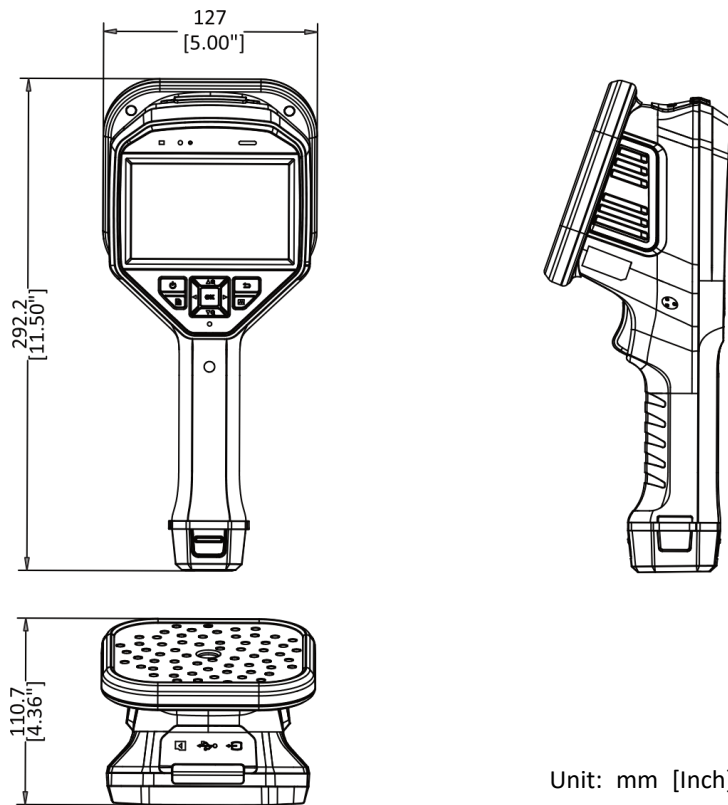
▪ Specification

Image Display	
Display	800 × 480 Resolution, 4.3" LCD Touch Screen
Screen Brightness	Manual/Auto
Digital Zoom	1.0x to 8.0x continuous
Data Storage and Communication	
Storage Media	Removable 64 GB SD Card
Image Storage Capacity	20,000 images
Annotations	Voice note: max. 60 seconds; Text note: max. 200 characters
Video Storage Capacity	60 hours
Video File Format	MP4
General	
Wi-Fi	802.11 b/g/n (2.4 GHz and 5 GHz)
USB Interface	USB Type-C
HDMI Interface	HDMI-D
Battery Operating Time	Approx. 3.5 hours
Battery Type	Dismountable and Rechargeable Li-ion Battery
Battery Charging Time	5 hours to full charge
Protection level	IP40
Power Supply	5 VDC/2 A (Charging via USB)
Drop Test Height	1.2 m (3.94 ft)
Safety	IEC 61010-1
Vibration	0.03 g ² /Hz (3.8 g), 2.5 g IEC 60068-2-6
EMC	EN 55032, EN 50130-4, EN IEC 61000-3-2, EN 61000-3-3
Shock	25 g, IEC 68-2-29
Working Temperature Range	-20°C to 50°C (-4°F to 122°F)
Storage Temperature Range	-20°C to 60°C (-4°F to 140°F)
Relative Humidity	< 95 % non-condensing
Weight	Approx. 940 g (2.07 lb)
Dimension	292.2 × 127 × 110.7 mm (11.50" × 5.00" × 4.36")
Tripod Mounting	UNC ¼"-20
Acoustic	
Number of Microphones	64
Acoustic Image Resolution	800 × 480
Bandwidth	2 kHz~65 kHz
Distance	0.3 m~100 m
Acoustic Image Palette	8: White Black, Black White, Rainbow, Fusion, Ironbow, Red Black, Rain, Blue Red
Camera FOV	51.8° × 36.4°
Sound Intensity Display	Peak Point, Center Point
Acoustic Image Frame Rate	25 fps
Signal Noise Ratio	70 dB
Leak Rate	> 0.008 l/min @ 6 bar from 0.5 m (1.64 ft) > 0.013 l/min @ 5 bar from 1 m (3.28 ft)

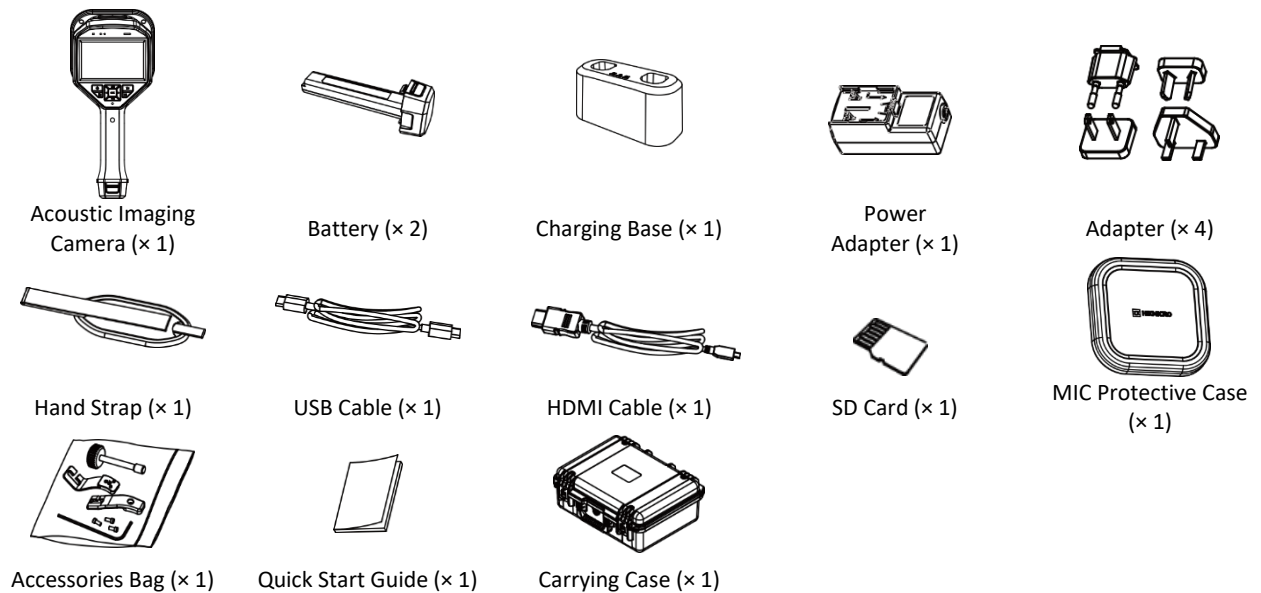
▪ **Available Model**

HM-AP56-W/W-AI56

▪ **Dimension**



▪ **Packing List**



Distributed by:

testoon.COM
The measurement website

99 rue Beranger 92320 Chatillon - France
Tel. : +33 (0) 1 71 16 17 00
E-mail: contact@testoon.com
www.testoon.com